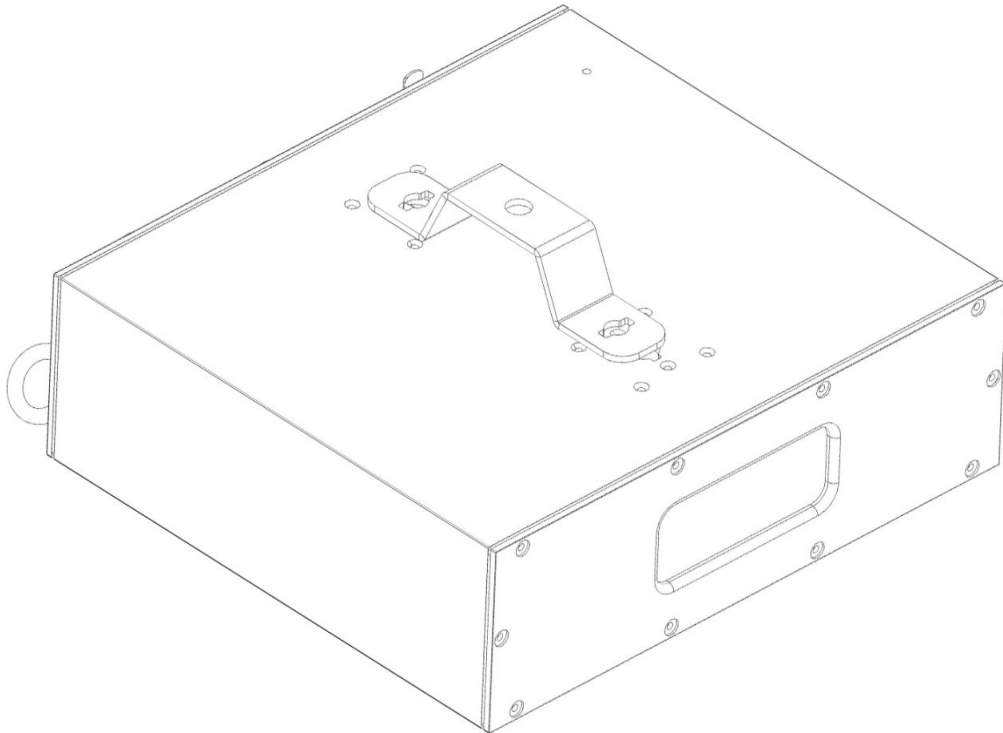
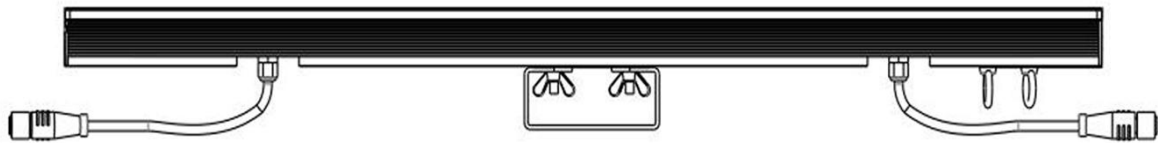


IP65 Pixel-Strip



**ART
NET**
ETHERNET

**DMX
512**

RDM
REMOTE DEVICE
MANAGEMENT

Safety Notes: Read all the following Safety Notes before working with this product. These notes include important information about the installation, usage, and maintenance of this product.



This icon indicates critical installation, configuration, or operation information.

Failure to comply with this information may render the fixture partially or completely inoperative, damage third-party equipment, or cause harm to the user.



There are no user-serviceable parts in this product. Any reference to servicing in this guide applies only to properly certified technicians. Do not open the housing or attempt any repairs unless you are certified.



This icon indicates useful, although non-critical information.

- DO NOT open this product. It contains no user-serviceable parts.
- CAUTION: This product's housing may be hot when lights are operating.
- Mount this product in a location with adequate ventilation, at least 20 in (50 cm) from adjacent surfaces.
- DO NOT leave any flammable material within 50 cm of this product while operating or connected to power.
- This product is for indoor use only! To prevent risk of fire or shock, do not expose this product to rain or moisture.
- DO NOT connect this product to a dimmer or rheostat.
- ONLY connect this product to a grounded and protected circuit.
- Always make sure you are connecting this product to the proper voltage, as per the Technical Specifications in this guide or on the product's specification label.
- Do not operate this product if you see damage on the housing, I/O ports, or cables. Have the damaged parts replaced by an certified technician at once.
- Do not cover the ventilation slots when operating to avoid internal overheating.
- The maximum ambient temperature is 104 °F (40 °C). Do not operate this product at a higher temperature.
- In case of a serious operating problem, stop using this product immediately!

What Is Included

Once you receive the product, carefully open the package and make sure all the pieces included are in good condition. The following items should be included in the package:

- Pixel Strip Drive4.0
- Quick Reference Guide



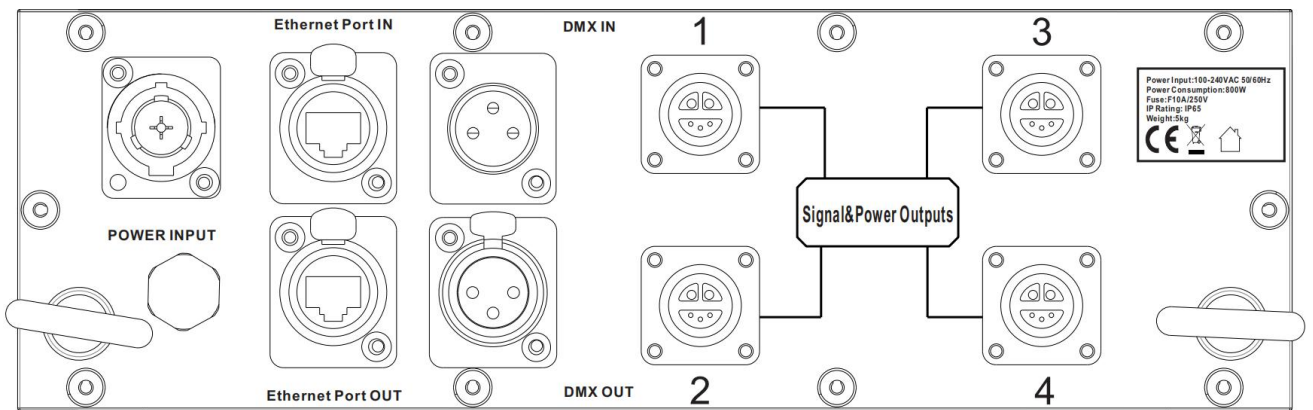
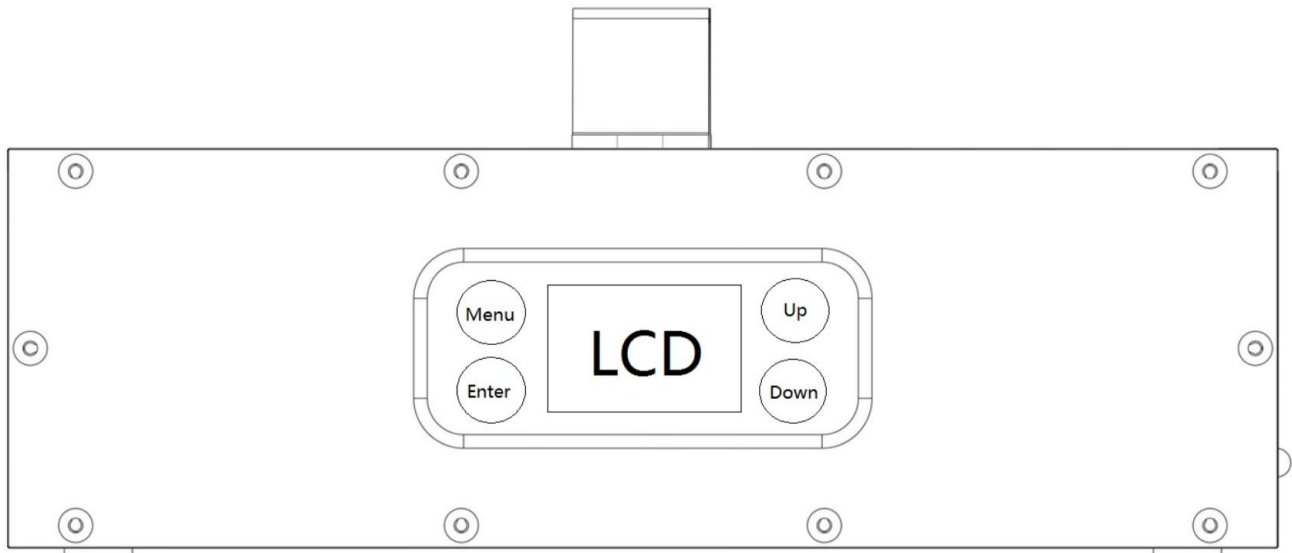
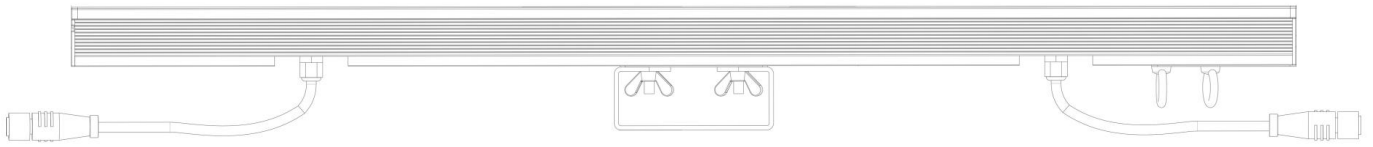
If there are any missing pieces, please contact the local dealer where you purchased the product.

Installation Procedure

Before installing any product, you should completely read through the guide that was shipped with the product.

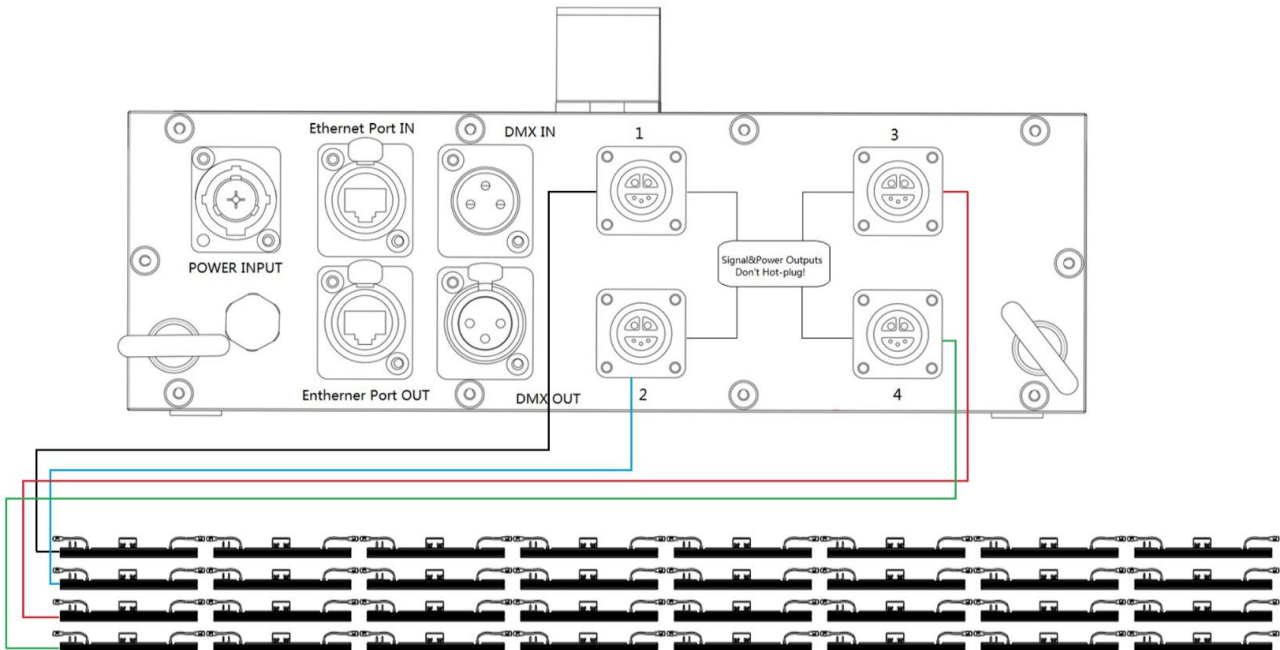
1. Carefully remove all items from the package and place on a secure foundation.
2. Mount product.
3. Install power cable and connect to power.
4. Connect product to computer/controller via router.
5. Connect Pixel Strip 4.0

Product Overview:



Connecting Pixel Strip Products to the Drive 5.0 :

The Pixel Strip™ Drive 4.0 use a 5 PIN cable(signal+power) to link all data ports. You can connect 8 piece of Pixel Strips per output on the Pixel Strip Drive. The following diagram illustrates how to assemble the data connections.



Power Linking

The Drive supports power linking. You can power link up to

- Seven (7) Drive drives at 120 VAC; or
- Eleven (11) Drive drives at 230 VAC

A power input cord is included with the Drive . A power linking cord is not included; however, is available as an option.

1	CONNECT	1.DMX Address	/	/
		2.Pixel Mode	1.LED SP 4*160	Pixel stirp,1 LEDs as one pixel
			2.LED DP 2*160	Pixel stirp,2 LEDs as one pixel
			3.LED FP 1*160	Pixel stirp,4 LEDs as one pixel
			4.LED BS Server	50W pocket stormy
			5.LED TJ Server	60W pocket beam
		6.LED 3CH Mode	Pixel stirp,For DMX mode	
3.Enetnet	IP Mode: CUSTOM IP&Subnet Mask: 002.000.000.001 255.000.000.000	/		
4.Universe	Net(0-127): 000(00) Sub-Uni: 007(0-7)	/		
2	SETUP	1.White Balance	R: 255(FF) G: 255(FF) B: 255(FF) W: 255(FF)	/
		2.Dimmer Mode	Off Dimmer 1 Dimmer 2 Dimmer 3 Dimmer 4	/
		3.LED Frequency	400Hz 600Hz 800Hz 1200Hz 2000Hz 4000Hz 8000Hz 16KHz	/
3	STAND ALONE	1.Normal	/	/
		2.Sequence	Show01 S:000 L:000 Show02 S:000 L:000 Show18 S:000 L:000	/
		3.Static	1.Pixel Color	01:R 02:G 03:B 04:W 05:GB
2.Manual Color	R: 255(FF) G: 255(FF) B: 255(FF) W: 255(FF)			
4	Lock Screen	1.Yes	Press enter button for 10 second to unlock	
		2.NO		
5	Software Verison	/	/	/