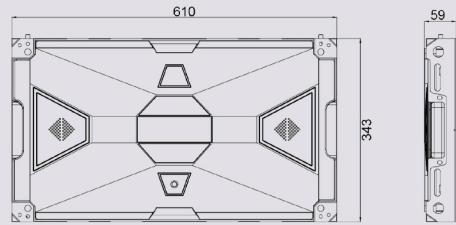


## INSCREEN MINILED

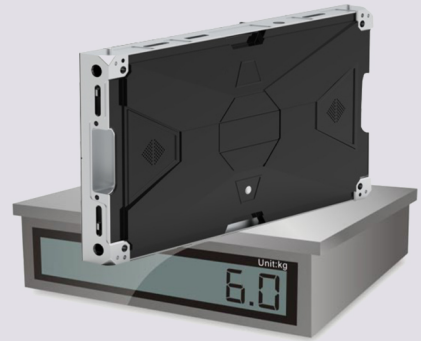
### PARAMÈTRES

Pixel Pitch	P1.2	P1.5	P1.9	P2.5
LED Type	SMD1010	SMD1010	SMD1515	SMD2020
Pixel Density/m <sup>2</sup>	619,360dots	396,390dots	275,270dots	146,810dots
Module Dimension	152.43*343.08	152.43*343.08	152.43*343.08	152.43*343.08
Cabinet Dimension	610*343mm	610*343mm	610*343mm	610*343mm
Cabinet Material	Die cast alu	Die cast alu	die cast alu	die cast alu
Cabinet weight	6kgs	6kgs	6kgs	6kgs
Maintenance way	Front/Rear	Front/Rear	Front/Rear	Front/Rear
Brightness	≥600nits	≥600nits	≥600nits	≥600nits
Refresh Rate	≥3,840Hz	≥3,840Hz	≥3,840Hz	≥3,840Hz
Scan Mode	1/30	1/27	1/30	1/32
Gray Scale	16bit	16bit	16bit	16bit
Power consumption/m <sup>2</sup>	1050/350w/m <sup>2</sup>	760/255w/m <sup>2</sup>	700/235w/m <sup>2</sup>	570/190w/m <sup>2</sup>
Contrast	8,000:1	8,000:1	8,000:1	8,000:1
Viewing Angle	160° /160°	160° /160°	160° /160°	160° /160°
Input Voltage	AC110/240V	AC110/240V	AC110/240V	AC110/240V
Lifespan	≥100,000hrs	≥100,000hrs	≥100,000hrs	≥100,000hrs
MTBF	>10,000hrs	>10,000hrs	>10,000hrs	>10,000hrs

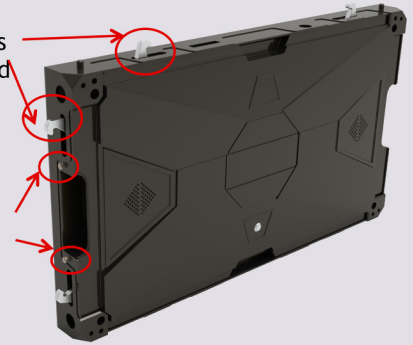


Cabinet thickness include module is only 59mm

Cabinet weight is only 6kgs



Internal lockers enable join cabinets together quickly and tightly

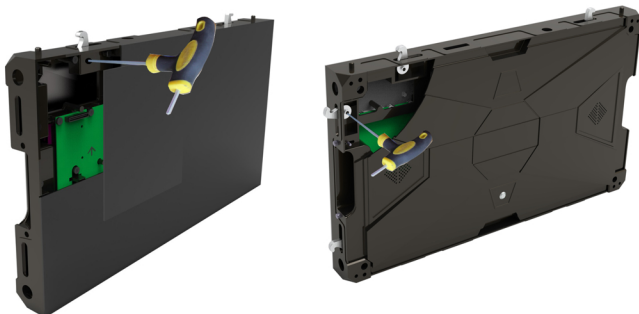


Location pins are also available at side of the cabinet for better alignment and easier installation

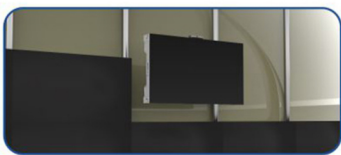


Precise die casting aluminum cabinet with internal lockers make seamless splicing joint

Signal cables and power cables are through inside of the cabinets. No external cables which has more stability

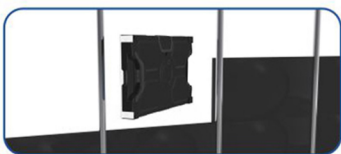


Can lock cabinets from both front and rear side with tool



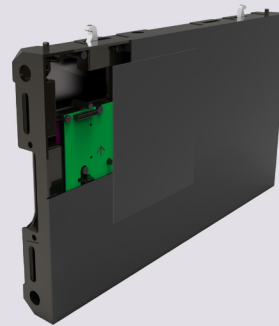
From front installation

support both front and rear side installation



From behind installation

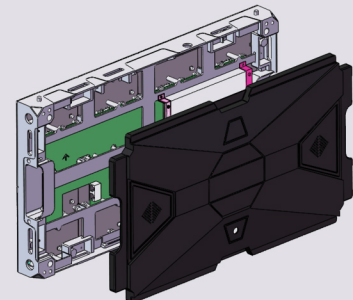
For rear side installation, do not need remove modules



Magnetic modules support both front and rear service

Receive card, power supply can be serviced from front as well

The back door can be opened and do signal cable and power cable connection from rear side without removing any modules for rear side installation



Internal power cable connector It is very convenient to finish power cables connection between cabinets quickly

