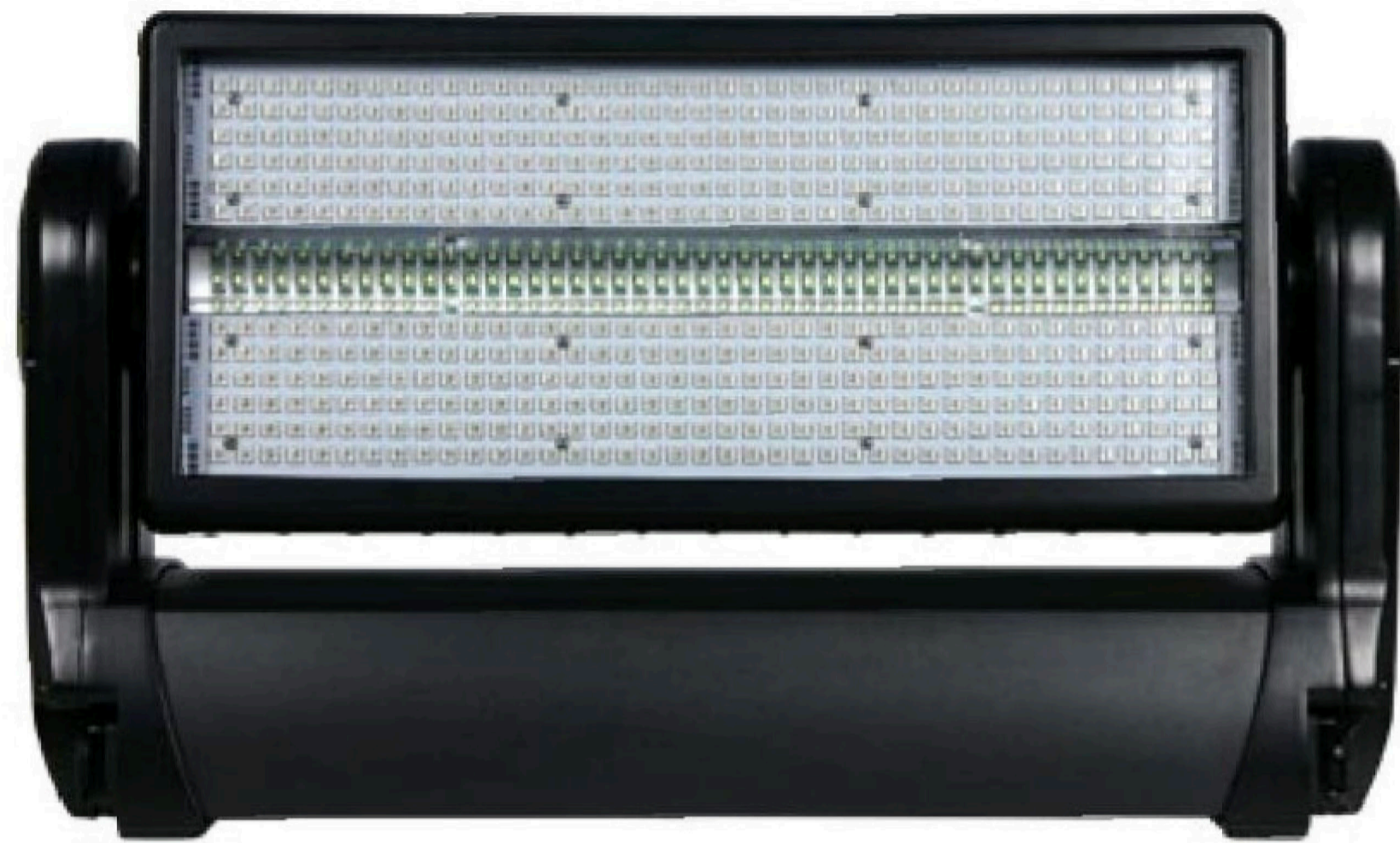
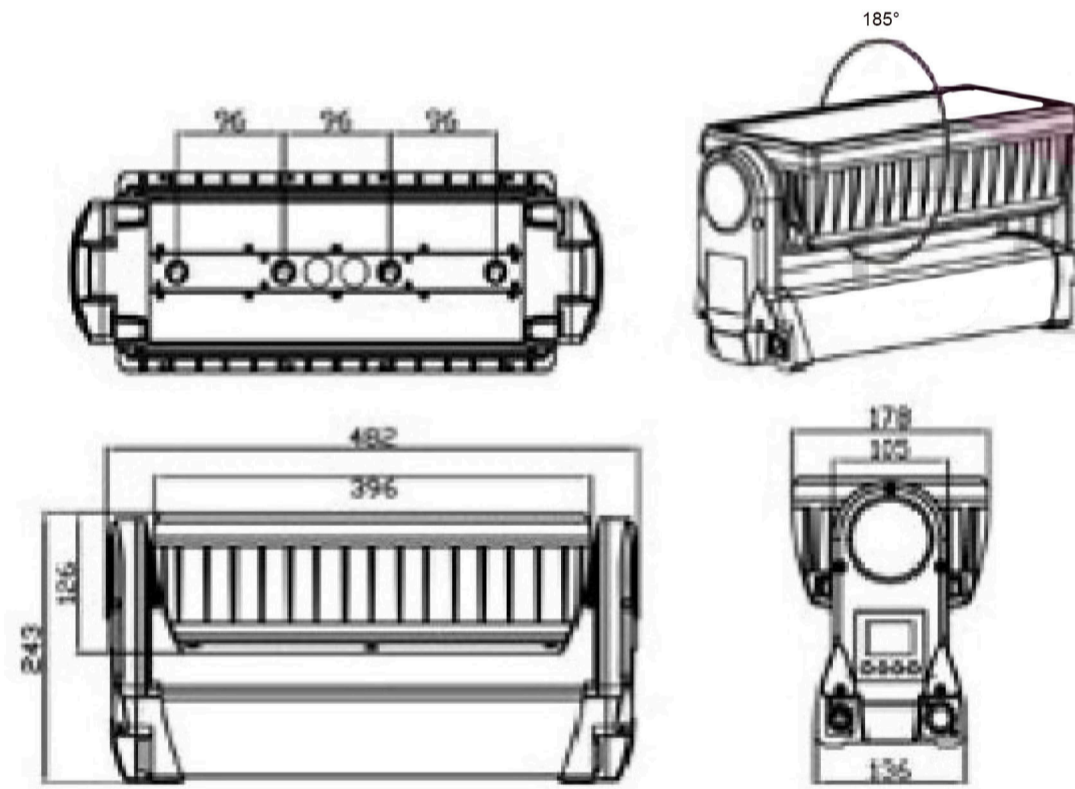


# Kstrobe Led Motor 1000



- ✓ Ultra High performance led strobe tube with RGB 3in1 color panels
- ✓ RDM (Remote Device Management) support
- ✓ Tilt movement DMX controllable
- ✓ Multiple electronic strobe and variable dimming Curve modes
- ✓ Temperature controlled fans for optimized operation and low noise
- ✓ Seetronic IP65 sockets and connectors for DMX In/Out and Power In/out
- ✓ Packing size: 56X36X26 cm
- ✓ G.W: 12.5KGs

## Dimensions



## MOVING STROBE 1000W WITH ULTRA POWER STROBE

The Comet SIP from CL delivers power in excess through a versatile and highly creative IP65-rated design, the likes of which has never been seen before. The Comet SIP contains a single tube element with an incredible clear, bright white output and combines that with a surrounding full face of RGB LED power, utilizing 480 high quality LED's which can be divided into 8 separate sections, and additionally the bright white tube also can be divided into 4 sections. The Comet SIP also features dynamic movement with a 16 bit, 185° tilt range, allowing you to place effects exactly where and when you want them to be.

Light Source	480 x 0.5W RGB 3in1 Leds (Panel), 144 x 5W 6500K White Leds (Tube)
Average LED lifetime	50,000 hrs.
Beam Angle	120°
DMX Mode	7-channel, 14-channel, 42-channel
Control Modes	DMX-512, Master-slave, Stand Alone
DMX Functions	Auto programs, Color macro, Dimmer, Dimmer Curve, RGB, Strobe
Control	4 buttons with LCD display
Tilt	185° movement
Operating Voltage	AC 110V - 240V, 50 - 60 Hz
Power Consumption	1000W
Connections	IP65 Seetronic DMX data in/out, PowerCON Power in/out
Housing Material	Aluminium
Cabinet Color	Black
Protection Class IP	IP65
Cooling	IP65 temperature-controlled fans
Operating Temperature	-15 - 45 °C
Installation	2 x 2 quarter-turn locking points for one or two Omega brackets

## Ultra Strobe Tube

